

 <p>880 2ème Rang Acton Vale , Qc J0H 1A0 1-800-646-6084 FAX Acton Vale:450-546-4137 St-Hyacinthe:450-253-7788</p>	Customer:	Retailer:
	Phone number:	
	Date:	
	Quotation number:	
	Salesperson:	
	Customer signature:	

**INSIDE**

- 34-13001**  
Foam insulation
- 03-67003-** \_\_\_\_\_  
Extra dome light

**OUTSIDE**

- 34-10001**  
Rotary ventilator
- 30-23002**  
Color keyed paint

**JACK**

- 30-37001**  
4 jacks for enclosed unit
- 30-38002**  
LOAD'N'GO

**SECURITY DEVICES**

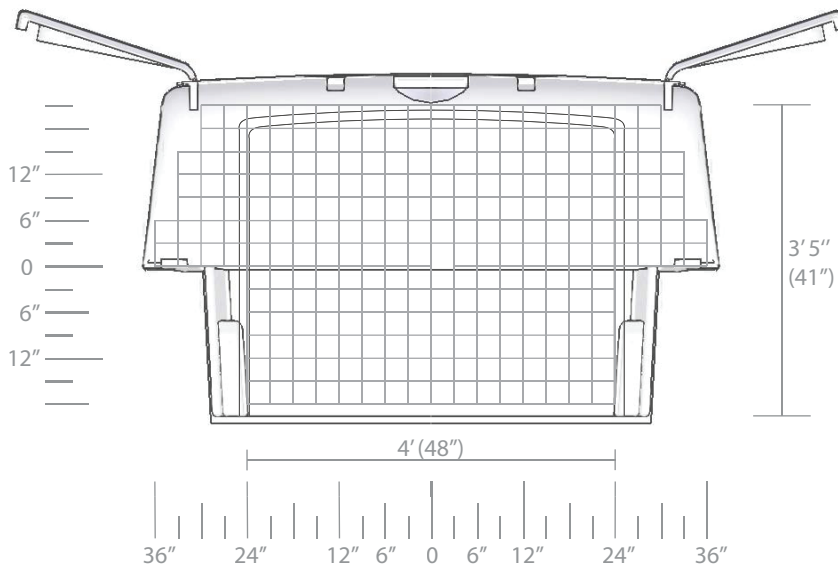
- 30-24002**  
Device for S/S padlock
- 30-24003**  
Solid steel shielded padlock

Code number.: \_\_\_\_\_



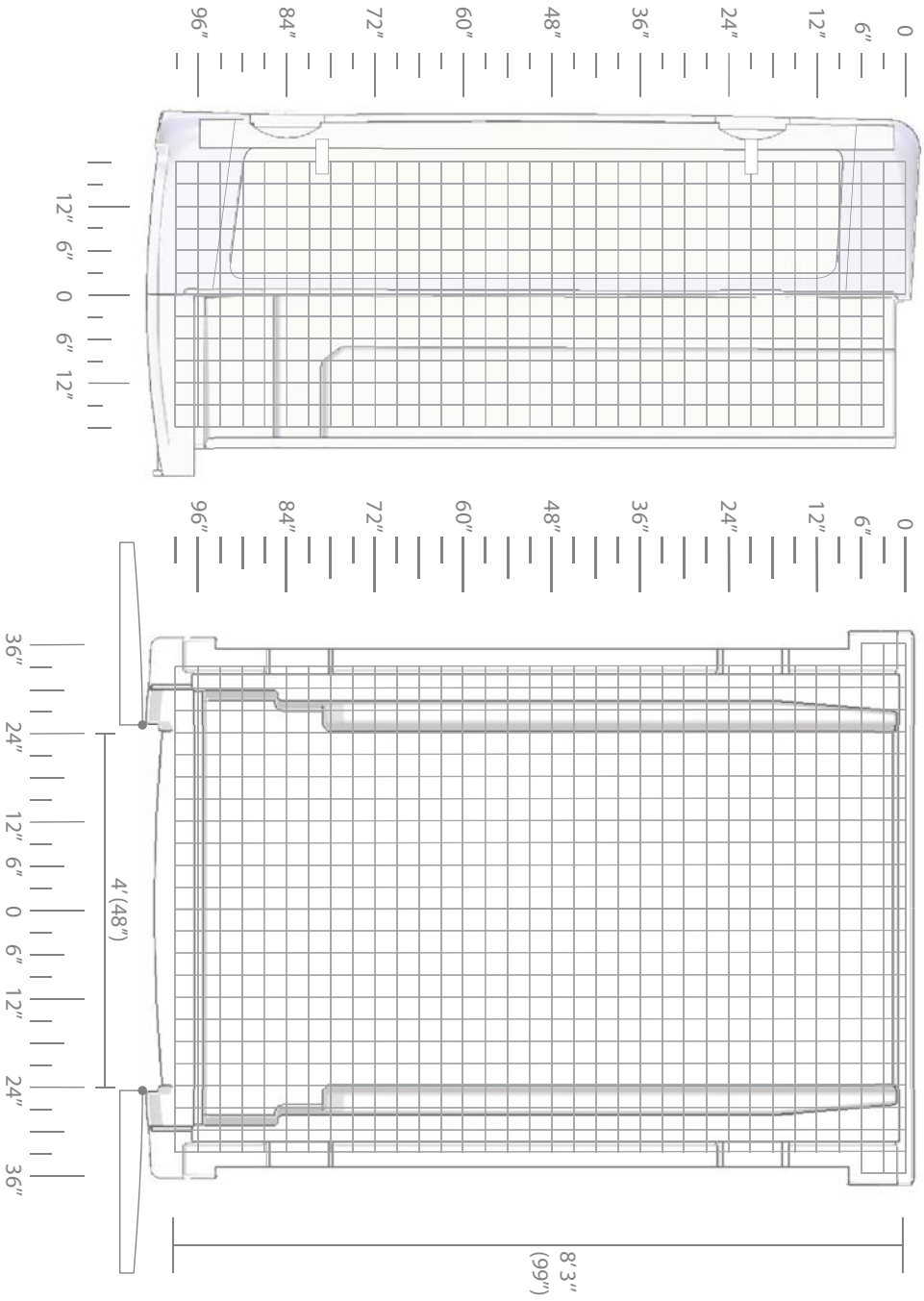
Document scale:  
 3" x 3"

- Side acces door  CURB SIDE STREET SIDE  Side acces door

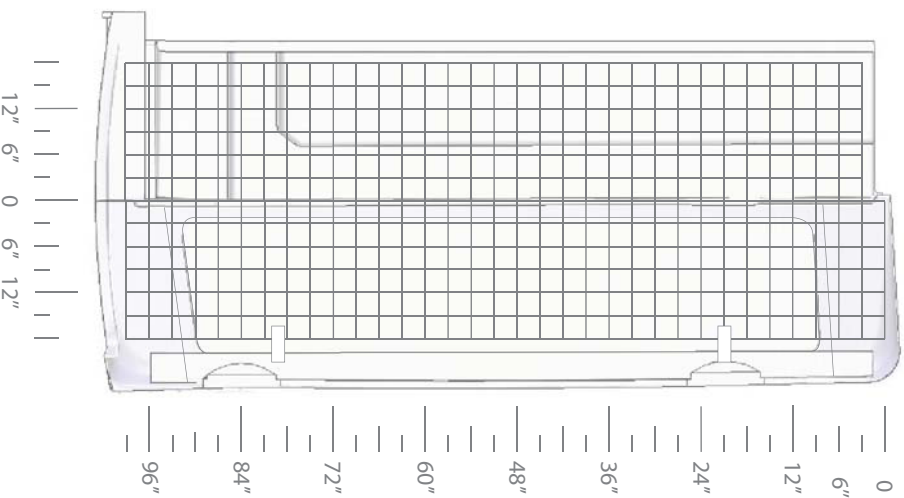


NOTES:

**INSIDE LAYOUT - STREET SIDE**



**INSIDE LAYOUT - CURB SIDE**



UNIT	PAGE